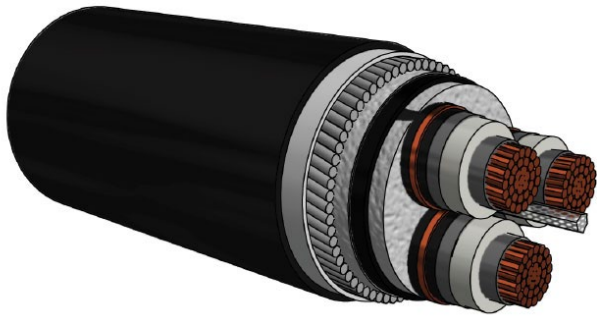


MEDIUM VOLTAGE XLPE-ESKOM TYPE (WATER BLOCKED)

6.3/11kV XLPE Copper 3 Core Type A SWA (Water Blocked)



General Data:

Properties:

Aluminium 3 Core

Specification SANS 1339

Type A Steel Wire Armour

Typical

Applications:

Underground Underground Reticulation
Main Distribution System
Sub-stationed Mining
ESKOM Electrical Networks

Options:

Standard XLPE

Standard Laying Conditions:

Soil Thermal Resistance: 1.2 km/W

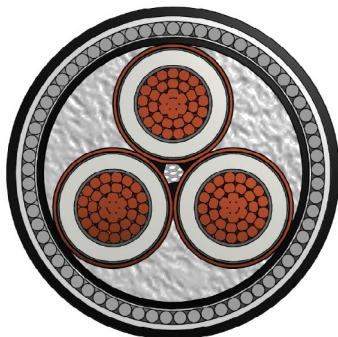
Soil Temperature: 25 °C

Depth of Burial: 800 mm

Air Temperature: 30 °C

Single Circuit in Isolation

Tolerance on Dimensions 5 %



Technical Information and Photographs from CBI electric

Address: 4 Branch Road, Germiston 1401, P.O. Box 678, Germiston 1400

Email: epsales.jhb@actom.com

Tel: +27 11 878 3050

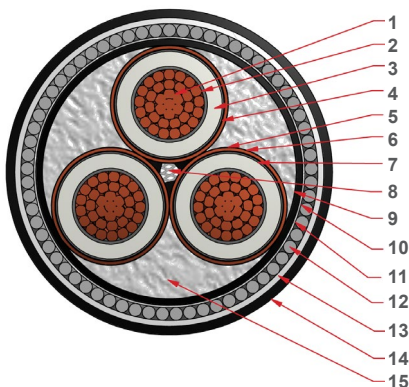
Website: www.actomep.co.za

MEDIUM VOLTAGE XLPE-ESKOM TYPE (WATER BLOCKED)

6.3/11kV XLPE Copper 3 Core Type A SWA (Water Blocked)

Cable Description:

| | 95 mm ² | | 185 mm ² | | 300 mm ² | |
|--|----------------------|----------------|---------------------|----------------|---------------------|----------------|
| | Thick. nom mm | Dia. nom mm | Thick. nom mm | Dia. nom mm | Thick. nom mm | Dia. nom mm |
| 1. Copper Conductor | | 11.7 | | 16.2 | | 20.7 |
| Water Blocked with Yarns | | | | | | |
| 2. Semi-Conducting Conductor Screen | 0.7 | 13.6 | 0.7 | 18.2 | 0.7 | 22.7 |
| 3. XLPE Insulation | 3.4 | 20.6 | 3.4 | 25.2 | 3.4 | 29.7 |
| 4. Semi-Conducting Core Screen | 0.6 | 22.0 | 0.6 | 26.8 | 0.6 | 31.3 |
| 5. Semi-Conducting Water Blocking Tape | 0.3 | 23.2 | 0.3 | 27.7 | 0.3 | 32.2 |
| 6. Copper Tape | 0.1 | 23.5 | 0.1 | 28.0 | 0.1 | 32.5 |
| 7. Semi-Conducting Water Blocking Tape | 0.3 | 24.1 | 0.3 | 28.9 | 0.3 | 33.4 |
| 8. Water Blocking Centre Tissue Tape Filler | | | | | | |
| 9. Water Blocking and PPL Tape Binder | 0.3/0.13 | 52.9 | 0.3/0.13 | 63.3 | 0.3/0.13 | 73.1 |
| 10. FR PVC Bedding | 1.5 | 56.1 | 1.7 | 67.3 | 1.9 | 77.4 |
| 11. Non Conductive Water Blocking Tape | 0.3 | 56.7 | 0.3 | 67.8 | 0.3 | 78.0 |
| 12. Steel Wire Armour | 2.5 | 61.7 | 3.15 | 74.1 | 3.15 | 84.9 |
| 13. Non Conductive Water Blocking Tape | 0.3 | 62.3 | 0.3 | 74.7 | 0.3 | 85.5 |
| 14. MDPE Outer Sheath | 2.8 | 68.2 | 3.2 | 81.8 | 3.2 | 92.8 |
| 15. Water Blocking Tissue Tape Filler | Tolerance (0 to 5 %) | | | | | |



Technical Information and Photographs from CBI electric

Address: 4 Branch Road, Germiston 1401, P.O. Box 678, Germiston 1400

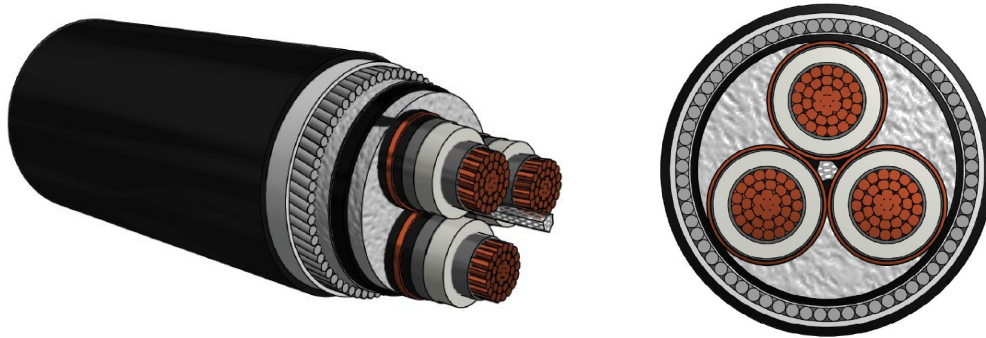
Email: epsales.jhb@actom.com

Tel: +27 11 878 3050

Website: www.actomep.co.za

MEDIUM VOLTAGE XLPE-ESKOM TYPE (WATER BLOCKED)

6.3/11kV XLPE Copper 3 Core Type A SWA (Water Blocked)



Product Information:

| Cable Size (mm ²) | Approximate Diameter (mm) | Current Rating (trefoil) (A) | | | Approximate Cable Mass (kg) | |
|----------------------------------|------------------------------|------------------------------------|--------------|------------------------|--------------------------------|--------------|
| | | Ground | Air in Shade | Air in Direct Sunlight | Cable | Gross (300m) |
| 95 | 68.16 | 277 | 319 | 279 | 7.8 | 2650 |
| 185 | 81.78 | 389 | 462 | 401 | 12.1 | 4400 |
| 300 | 92.84 | 493 | 601 | 521 | 16.6 | 5700 |



Technical Information

Address: 4 Branch Road, Germiston 1401, P.O. Box 678, Germiston 1400

Email: epsales.jhb@actom.com

Tel: +27 11 878 3050

Website: www.actomep.co.za

Complete your Project:

Please select the items you require and we will be in touch

Cables and Wires:

Indoor
Outdoor
General
Other
Let an ACTOM
Specialist Contact you

Lighting:

Indoor
Outdoor
General
Other
Let an ACTOM
Specialist Contact you

Transformers (Distribution):

Indoor
Outdoor
General
Other
Let an ACTOM
Specialist Contact you

Accessories:

Indoor
Outdoor
General
Other
Let an ACTOM
Specialist Contact you

Specific Information:

For more Information on this Product Please Send us the Following

Product Information:

Product Name:

Quantity:

Project Name:

Date the Product is required:

Your Contact Information:

Name and Surname:

Company:

Email:

Phone Number:

Province:

Thank You

For having a Look at this Product

Please send this PDF back to us with all your Information

Scan the QR Code to visit our Website:

